

Ingersoll-Rand®

PacE – for Economic System Control

Installing a PacE unit in your compressed air system will be the easiest decision you will ever make.



Why? Well it's simple.

PacE will provide you the ability to control your entire air system's pressure from one convenient unit.

Storing air at a high pressure is good working practice. This enables you to have a greater volume in your air receiver to cover peak system demands, but letting this high pressure feed into your distribution system can be detrimental.

First, high pressure will affect the performance and life expectancy of your production equipment. Most pneumatic components and tools are designed to operate at between 80 – 90 psi. Any pressure higher than this will cause excessive wear and inevitable component failure.

The second reason is leakage. All air systems can potentially have leaks. However, losing air at 80 psi is better than losing it at 125 psi. Reducing the pressure that air leaks from your system reduces the volume of air that is lost. This results in less loading of your air compressor and considerable running cost savings. It is possible in some installations to actually turn off compressors, achieving not only power cost savings but also reducing maintenance costs and extending the life of your compressor.

PacE also provides a low-cost option to fitting point-of-use regulation. Every point in a system needs to be regulated. The cost of doing this is very high which is why very few companies install them. Now PacE provides you with a simple and low-cost solution.

Reduced power costs, total downstream protection for all your equipment, and a simple-to-operate system make the decision simple.

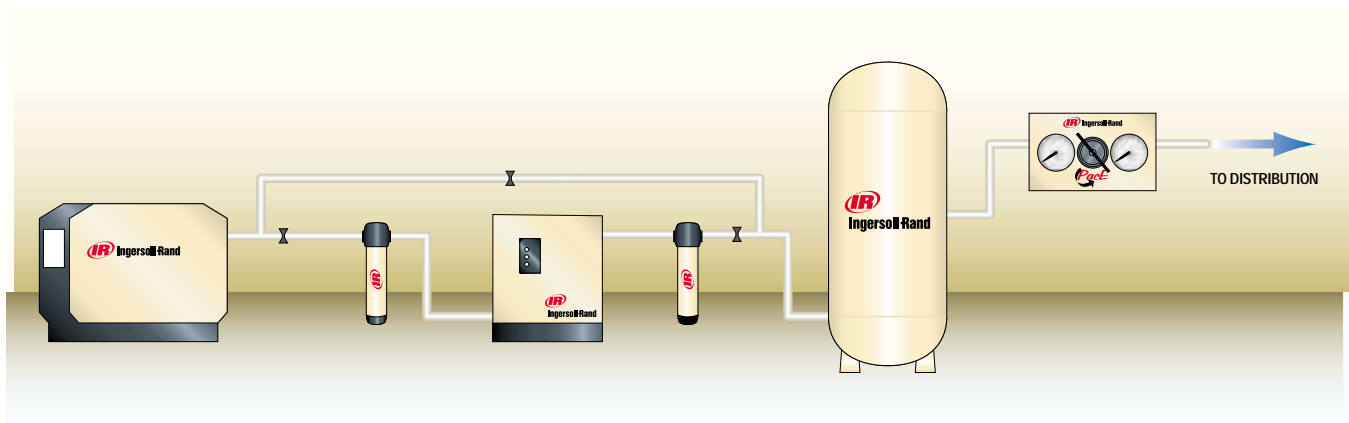
Benefits:

- Energy savings – 7% for every 14 psi reduction in system pressure
- Single point control for your whole system
- Protection for all downstream equipment
- Prolonged equipment life
- Reduced maintenance costs
- Simple installation and operation



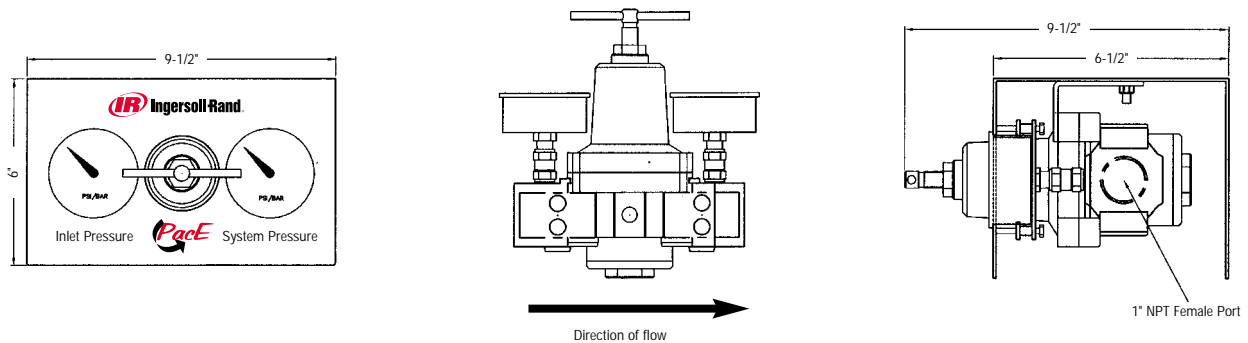
PacE – for Economic System Control

Installing a PacE unit in your compressed air system will be the easiest decision you will ever make.



Technical Specifications

Connection size	1" NPT Female	PacE – Part Number	CCN 38334314
Maximum flow rate	250 scfm	Spares kit – Part Number	CCN 38036281
Maximum inlet pressure	232 psig		
Control range	145 psig to 7 psig		
Operating temperature range	176°F (80°C) to -4°F (-20°C)		



More Than Air. Solutions.

Online solutions: <http://www.air.irco.com> or call 1-800-526-3615

Ingersoll-Rand compressors are not designed, intended or approved for breathing air applications. Ingersoll-Rand does not approve specialized equipment for breathing air applications and assumes no responsibility or liability for compressors used for breathing air service.

Nothing contained on these pages is intended to extend any warranty or representation, expressed or implied, regarding the product described herein. Any such warranties or other terms and conditions of sale of products shall be in accordance with Ingersoll-Rand's standard terms and conditions of sale for such products, which are available upon request.

Product improvement is a continuing goal at Ingersoll-Rand. Designs and specifications are subject to change without notice or obligation.



Ingersoll-Rand
800-B Beaty St.
Davidson, NC 28036
1-800-526-3615